

# pewag levo clamp LC

Safe lifting – the easy way!

the  
**next**  
generation  
of **clamps**



## Optimising lifting processes.

Manual process steps such as attaching and releasing hooks require a great deal of time and resources. This is where automation comes in handy, and with the pewag levo clamp LC, pewag has developed a truly innovative product.

The pewag levo clamp LC is a vertical lifting clamp that was specially developed for simplifying standardised lifting processes and making them safer.



### 100 % safe

Protection against unintentional opening, secure communication between the clamp and the remote (ISO 13849), safety factor of 4:1



### Outstanding pewag quality

Tool-free installation, TÜV-certified, tried-and-tested pewag expertise



### Full range of services (on-the-job training)

e-learning, support during first use, repair



### Cost and time savings thanks to speedy work processes

Up to 2,000 work cycles without interruption, opening/closing within 2 seconds

## Spotlight on safety.

Automation and user safety play an increasingly important role in today's work market. Processes such as the lifting of steel plates and steel constructions are a potential hazard for persons and material.

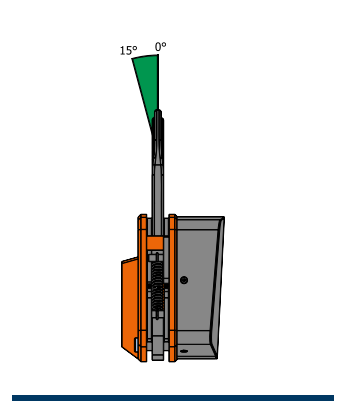
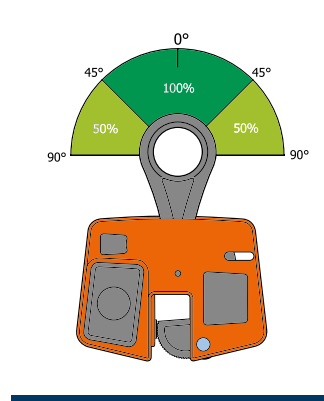
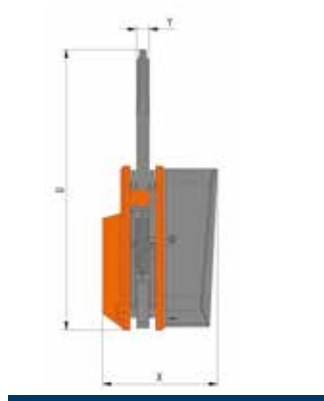
To ensure safety during lifting operations, a premium tool is required that is easy to operate and safe to handle. The pewag levo clamp LC was developed specifically for this challenge and makes it possible to lift loads manually, using a remote control unit.

### The pewag levo clamp LC

- provides support when working at heights or in areas that are difficult to access.
- withstands temperatures that put a strain on the user (-20 °C to 60°C).
- enables the targeted use of personnel resources. (crane or lifting equipment operator may lift and release load independently)
- is suitable for lifting and transporting steel plates with a maximum hardness of 37 HRC (345 HB).
- has an admissible minimum weight of 10% of the maximum weight.

Code	Load capacity [kg]	Jaw-width R [mm]	T [mm]	S [mm]	W [mm]	V [mm]	U [mm]	Y [mm]	X [mm]	Weight approx. [kg/pc.]
LC 3	3,000	0-35	70	96	115	273	356	16	145	19.00

Code	Load capacity [lbs]	Jaw-width R [inch]	T [inch]	S [inch]	W [inch]	V [inch]	U [inch]	Y [inch]	X [inch]	Weight approx. [lbs/pc.]
LC 3	6,600	0-1.37	2.75	3.77	4.52	10.74	14.01	0.62	5.71	42.00



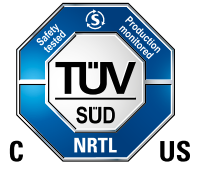
# pewag levo clamp LC

## Vertical innovation.

The pewag levo clamp LC is a world first and heralds a new generation of lifting devices.

Operator and material safety is our top priority at all times. The pewag levo clamp LC allows the lifting and lowering of steel plates and constructions from a safe distance, using a remote control. This takes pressure off the operator in particular in difficult working conditions, for instance when working at heights or in hazardous areas.

Thanks to our special user software (pewag levo manager), also developed by pewag, it is now also possible to configure the pewag levo clamp LC and to evaluate **statistical data** relating to lifting operations.



## Basic version.



**Easy-to-use remote control unit**



**Charging station**



**pewag levo clamp LC 3 tonnes**

Standard version includes battery, temperature sensor and data logger, peTAG for unique product identification and operating manual

## Optional add-ons



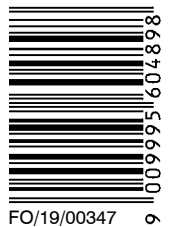
**workspace lighting**  
Optimised visibility of the work area



**pewag levo manager**  
• Servicing  
• Data evaluation for all lifting processes



**Multiloading Adapter**  
Charges up to 10 batteries at one time



FO/19/00347 9



levo.pewag.com

**pewag austria GmbH**

A-8041 Graz, Gaslaternenweg 4, Phone: +43 (0) 50 50 11-0, Fax: +43 (0) 50 50 11-100,  
saleinfo@pewag.com, [www.pewag.com](http://www.pewag.com)

Your direct line to levo:

[levo@pewag.com](mailto:levo@pewag.com)

Phone: +43 (0) 664 6200 120

## The pewag levo clamp LC complies with the following standards:

As of: 31/12/2018

**Standards applied:**

General/Mechanical components:

- ISO 9001
- EN 13155
- EN 10204 3.1.B
- Maschinenrichtlinie 2006/42/EG
- ASME B30.20
- UL 508
- CSA C22.2 No. 14-13

**Electronic components:**

- |                |                     |
|----------------|---------------------|
| • ISO 12100    | EN 61000-4-8        |
| • ISO 13849-1  | EN 61000-6-4        |
| • ISO 13849-2  | EN 61000-6-2        |
| • EN 55011/22  | FCC, 47 CFR Part 15 |
| • EN 61000-4-2 | EN 300220-2         |
| • EN 61000-4-3 | IC RSS-247          |

**Standards for charger:**

- IEC 60335:1
- IEC 60335:2
- EN 55014-1
- EN 55014-2
- EN 61000-3-2
- EN 61000-3-3

