

pewag austria GmbH  
A-8041 Graz, Gaslaternenweg 4, Phone: +43 316 6070-0, Fax: +43 316 6070-100,  
saleinfo@pewag.com, [www.pewag.com](http://www.pewag.com)



## pewag winner profimag lifting magnet

For challenging lifting applications



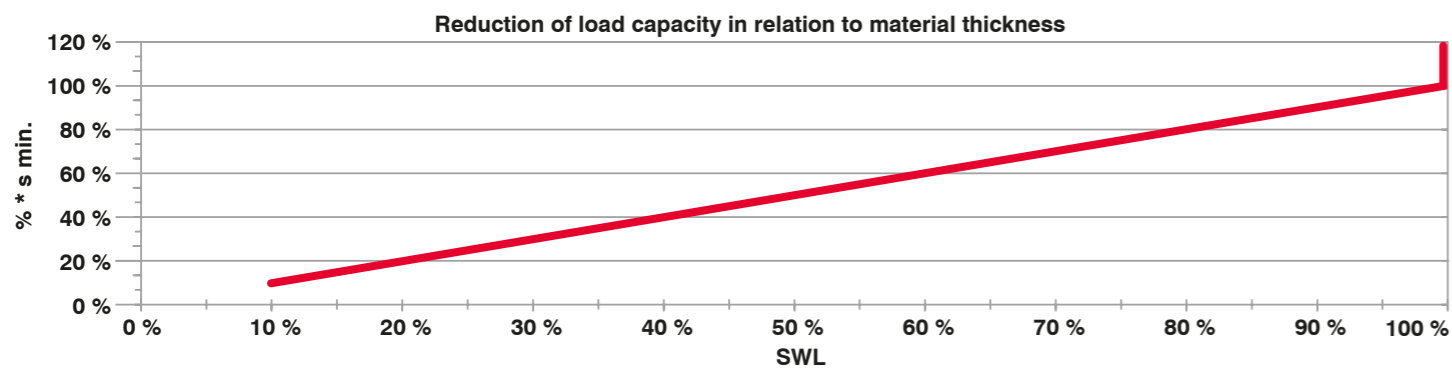
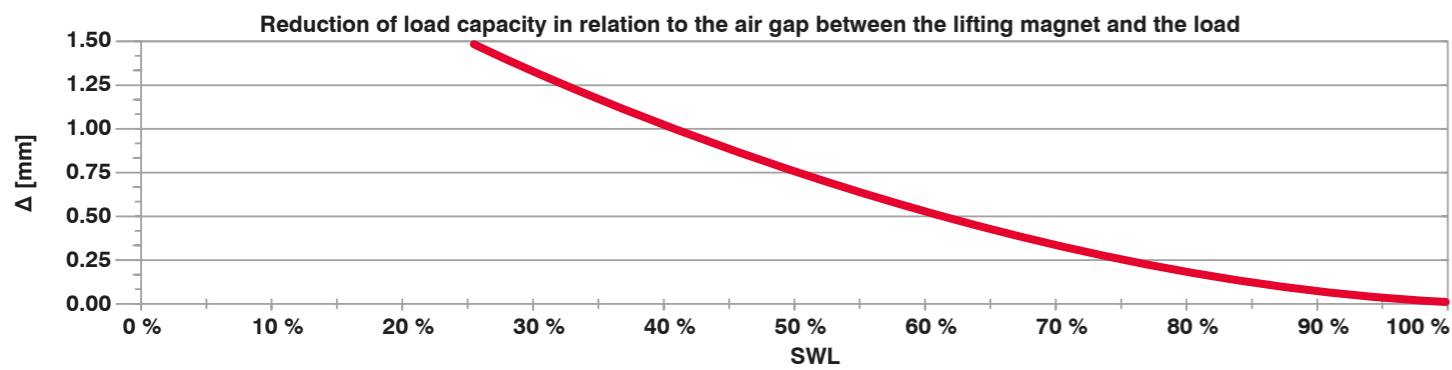
# Versatile. Innovative. pewag.

## Your benefits at a glance

- Built using Neodymium magnets
- No electricity required for use
- Small, compact format
- Built using premium master links from the pewag winner range
- May be used for a wide range of different metals, bearing in mind the reduction factors for working load limits
- Easy to switch on or off by turning the lever by 180°, thus fully leveraging the magnetic effect
- Safety mechanism locks lever in position when the magnet is on, thus preventing the accidental release of the load
- Lever with handle, spring, lock, label and master link are available as spare parts
- 5-year warranty
- Safety factor 3
- Jointed connection between master link and magnet, therefore reduced load during inclined hoisting operations
- Front panels made from aluminium, thus reduced proper weight



Restrictions of use				
Temperature range	From -10 °C to +80 °C and max. humidity of 80 %		Less than -10 °C and more than +80 °C	
Load factor	1		Not permitted	
Shock loading	Not permitted			
Steel type	Mild steel	Alloy steel	C40 steel	Cast iron
Load factor	1	0.8	0.7	0.45



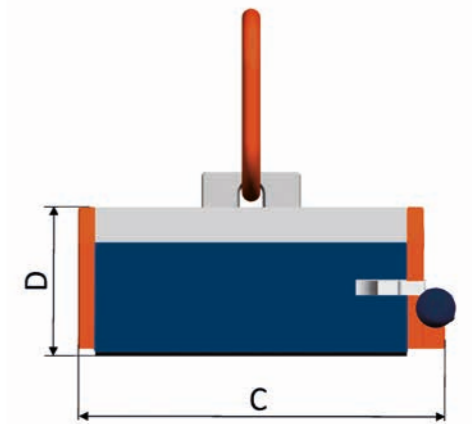
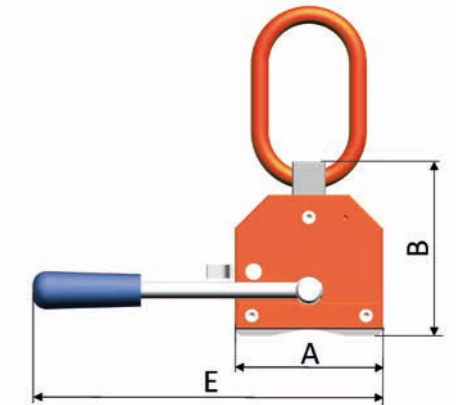
## pewag winner profimag PMA lifting magnet

### Magnetic, compact, reliable

Built with Neodymium magnets and thus compatible with a wide range of metallic materials without the need for electricity. Load capacities from 150 kg / 350 lbs to 2,000 kg / 4,400 lbs. Simple and quick to mount to the lifting equipment thanks to permanently mounted master links. Suitable for flat and round material as well as for temperature ranges from -10 °C to +80 °C at 80 % maximum humidity. Maximum temperature of the load to be lifted: 60 °C.

Surface: orange, anodized and electro galvanized.  
Master links: orange, powder-coated.

Manufactured according to EN ISO 12100 T1 and T2, EN 13155, ASME B30.20 and Machinery Directive 2006/42/EC.



Type	A [mm / in]	B [mm / in]	C [mm / in]	D [mm / in]	E [mm / in]	Master link	Weight [kg / lbs]
PMA 150	85.00 / 3.35	110.00 / 4.33	155.00 / 6.10	85.00 / 3.35	190.00 / 7.48	AW 13: 13x110x60	7.00 / 15.43
PMA 300	85.00 / 3.35	110.00 / 4.33	195.00 / 7.68	85.00 / 3.35	190.00 / 7.48	AW 13: 13x110x60	9.00 / 19.84
PMA 500	110.00 / 4.33	130.00 / 5.12	260.00 / 10.23	105.00 / 4.13	250.00 / 9.84	AW 13: 13x110x60	17.00 / 37.50
PMA 1000	130.00 / 5.12	175.00 / 6.89	320.00 / 12.60	135.00 / 5.31	275.00 / 10.87	AW 13: 13x110x60	40.00 / 88.20
PMA 2000	205.00 / 8.07	230.00 / 9.05	450.00 / 17.72	180.00 / 7.09	510.00 / 20.08	AW 22: 23x160x90	112.00 / 246.90

Type	Flat surface			Round surface	
	WLL [kg / lbs]	Min. material thickness [mm / in]	Max. length L [mm / in]	WLL [kg / lbs]	Max. material diameter [mm / in]
PMA 150	150 / 330	20.00 / 0.79	2,000 / 78.74	75 / 150	150.00 / 5.91
PMA 300	300 / 700	20.00 / 0.79	2,500 / 98.43	150 / 350	150.00 / 5.91
PMA 500	500 / 1,100	25.00 / 0.98	3,000 / 118.11	250 / 550	250.00 / 9.84
PMA 1000	1,000 / 2,200	35.00 / 1.38	3,500 / 137.80	500 / 1,100	300.00 / 11.81
PMA 2000	2,000 / 4,400	45.00 / 1.77	3,500 / 137.80	1,000 / 2,200	500.00 / 19.69